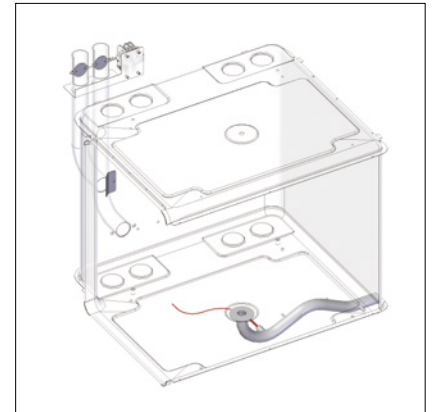


# taos<sub>®</sub>



## Distinctive features



**Programmable FCS technology** (Fast Chimney System) for forced removal of humidity.



**Settable ventilation speeds** and additional pulse mode.



**FastSteam Technology** for immediate steam generation.

Ho.Re.Ca. Line

Bakery Line

Special Line

Gas Line



# taos



Model	<b>YTO6040-6D</b>
Capacity	6 trays 60x40
Pitch	80 mm
Dimensions mm (LxDxH)	850x890x890
Weight (kg)	102 kg
Thermic Power	---
Power	11 KW
Voltage	380-415 V / 3 N
IP protection level	IPX 4



Model	<b>YTO6040-10D</b>
Capacity	10 trays 60x40
Pitch	80 mm
Dimensions mm (LxDxH)	850x890x1170
Weight (kg)	137 kg
Thermic Power	---
Power	17,5 KW
Voltage	380-415 V / 3 N
IP protection level	IPX 4

## Main features

- Convection, combi and steam cooking with Fixed Time or Core Probe function (optional)
- Temperature settable from 30° to 280°
- Manual and/or programmed cooking mode
- Data storage for the saving of programs
- Rapid display of free and in use positions
- Manual or automatic pre-heating mode settable up to 280°c
- Possibility to save up to 5 cooking phases per program
- Multi-function digital display
- Possibility to modify cooking parameters during the cycle in operation
- Instant display of set cooking parameters
- Alarms display with autodiagnosis system
- Special cycles: Rapid cooking chamber cool-down, Time extension at the end of the cooking and Rapid cancellation of memorized recipes
- Manual humidity supply function
- Fast Steam Technology for immediate steam generation
- Programmable FCS technology (Fast Chimney System) for forced removal of humidity
- Settable ventilation speeds (3) + pulse speed with automatic inversion of fans rotation
- 304 stainless steel molded cooking chamber
- Ergonomic and lightweight handle compliant with HACCP standards
- Frontal structure with screwless system
- Simply-removable control panel
- Simply-approachable right side
- Simply-approachable motor compartment
- Integrated humidity collector aisle
- Integrated syphon
- Adjustable feet
- Stackable kit configuration
- Simply-removable rack holder
- Reversible door opening R/L
- Double glass door of easy inspection with high thermic insulation and Safety Fanstop system when the door is open
- Halogen inner lamps in the cooking chamber

